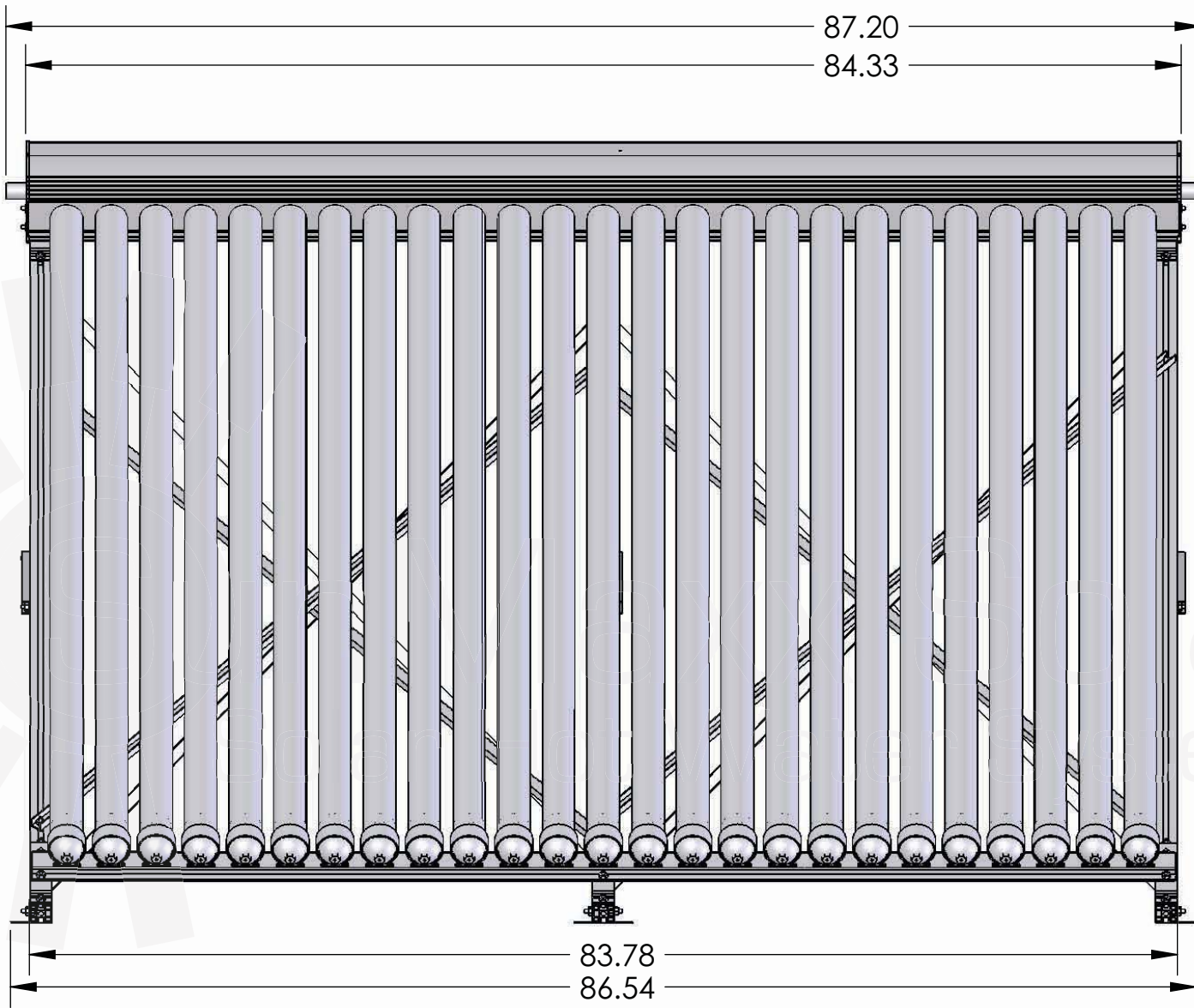


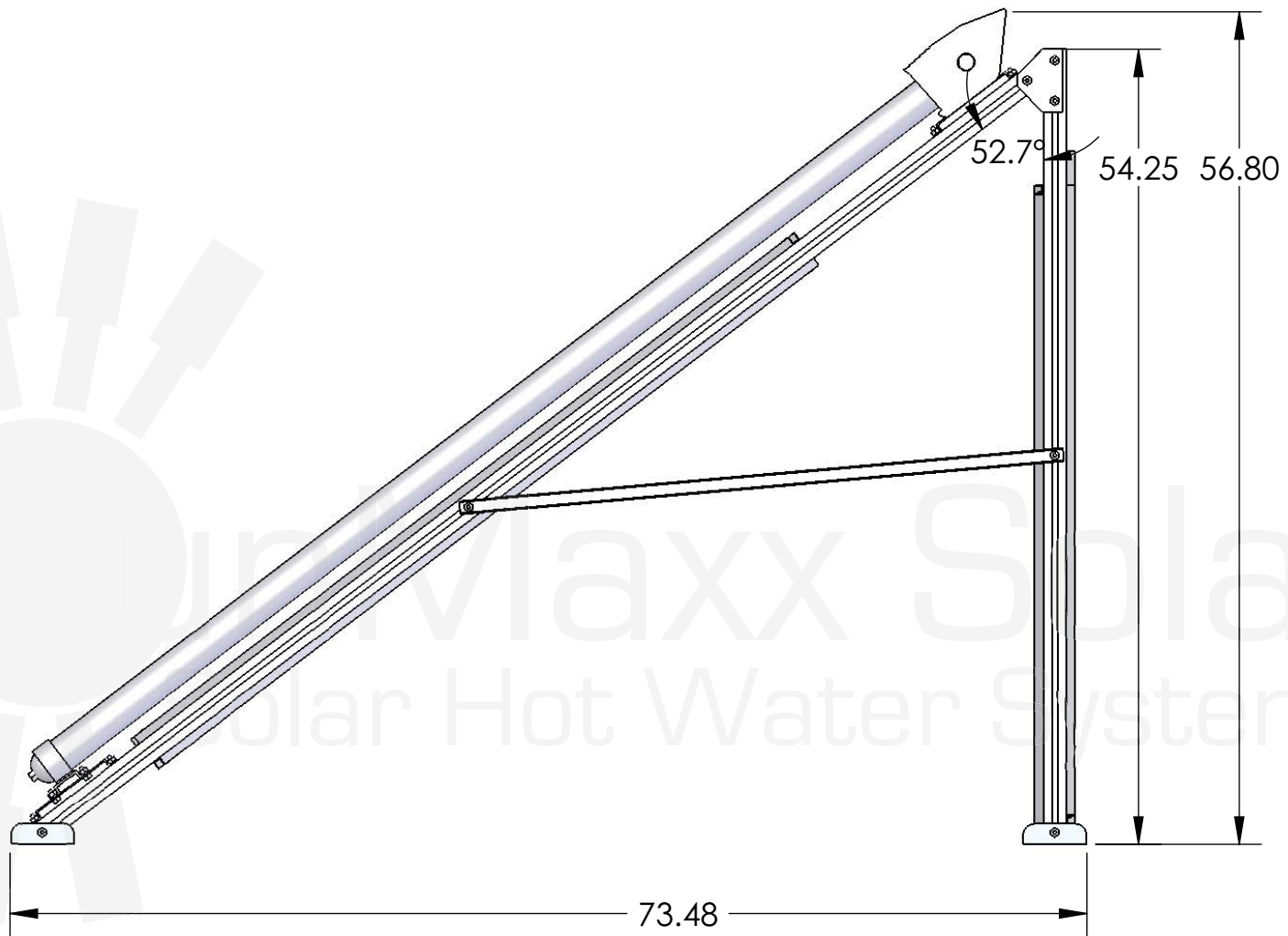
PROPRIETARY AND CONFIDENTIAL
THE INFORMATION CONTAINED IN THIS
DRAWING IS THE SOLE PROPERTY
OF SILICON SOLAR. ANY REPRODUCTION
IN PART OR AS A WHOLE WITHOUT THE
WRITTEN PERMISSION OF SILICON SOLAR
IS PROHIBITED.

Silicon Solar	
Title: SunMaxx 25	
View: Isometric	
SCALE 1:20 Units Inches	June 18, 2008



PROPRIETARY AND CONFIDENTIAL
 THE INFORMATION CONTAINED IN THIS
 DRAWING IS THE SOLE PROPERTY
 OF SILICON SOLAR. ANY REPRODUCTION
 IN PART OR AS A WHOLE WITHOUT THE
 WRITTEN PERMISSION OF SILICON SOLAR
 IS PROHIBITED.

Silicon Solar	
Title: SunMaxx 25	
View: Front	
SCALE 1:12 UNITS INCHES	June 18, 2008



PROPRIETARY AND CONFIDENTIAL
 THE INFORMATION CONTAINED IN THIS
 DRAWING IS THE SOLE PROPERTY
 OF SILICON SOLAR. ANY REPRODUCTION
 IN PART OR AS A WHOLE WITHOUT THE
 WRITTEN PERMISSION OF SILICON SOLAR
 IS PROHIBITED.

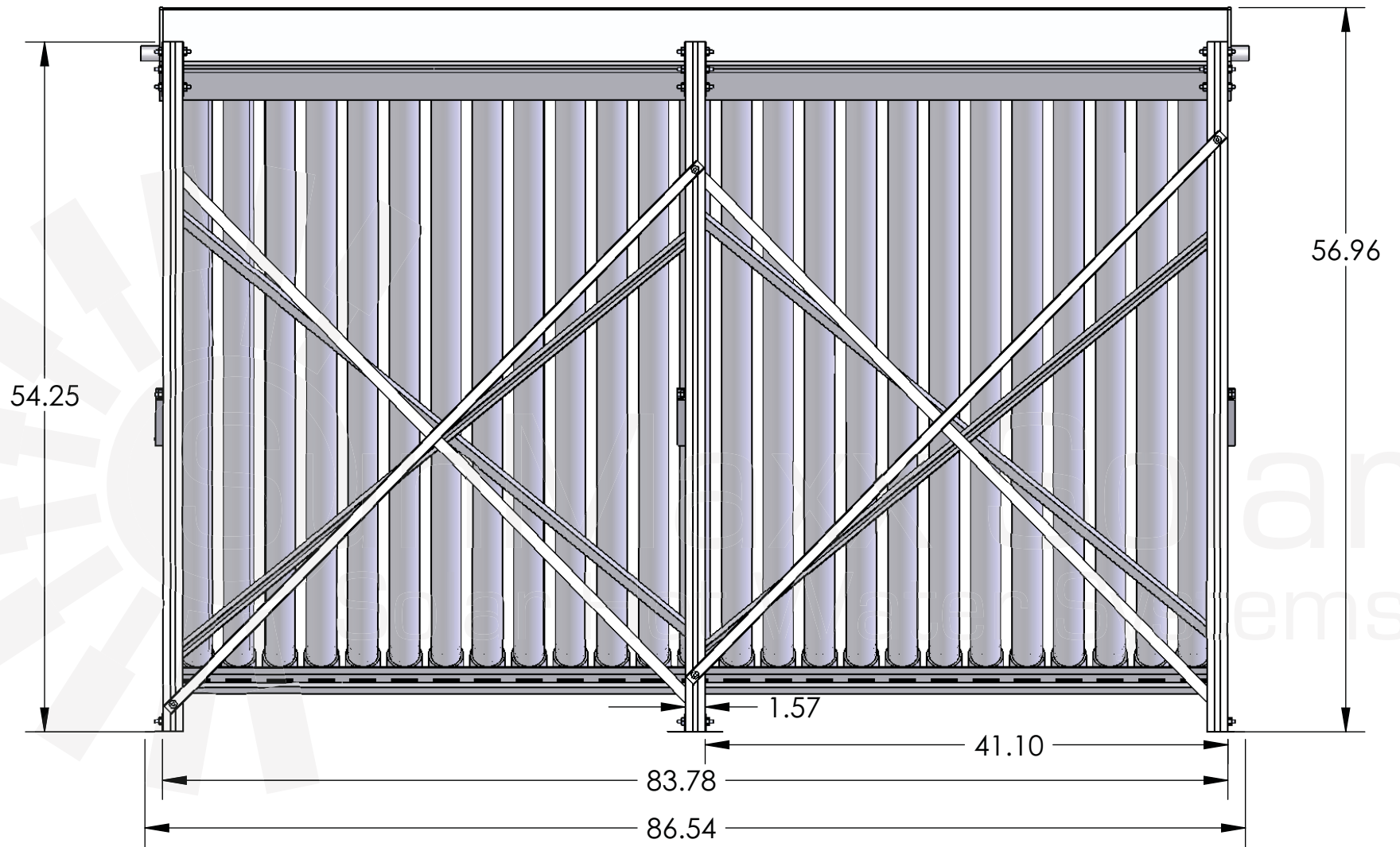
Silicon Solar

Title: SunMaxx 25

View: Right

SCALE 1:12
 UNITS INCHES

June 18, 2008



Silicon Solar

Title: SunMaxx 25

View: Back

SCALE 1:12

June 18, 2008

PROPRIETARY AND CONFIDENTIAL

THE INFORMATION CONTAINED IN THIS DRAWING IS THE SOLE PROPERTY OF SILICON SOLAR. ANY REPRODUCTION IN PART OR AS A WHOLE WITHOUT THE WRITTEN PERMISSION OF SILICON SOLAR IS PROHIBITED.